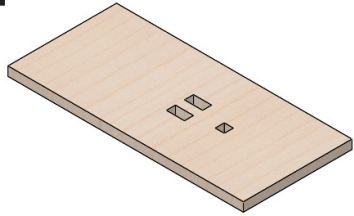


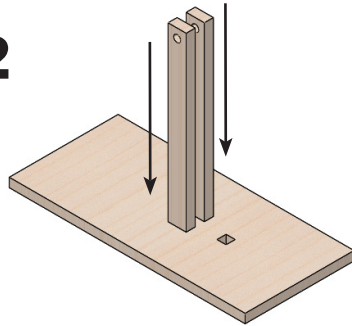
Build Guide: Pneumatic Crane

1



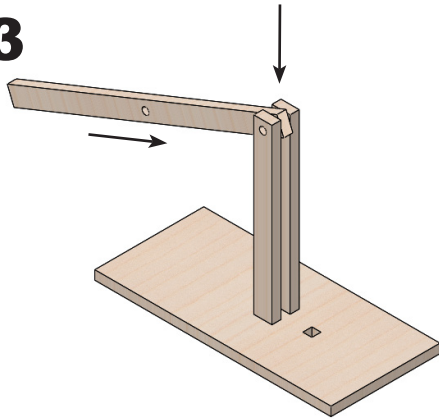
This is the base of your pneumatic machine.

2



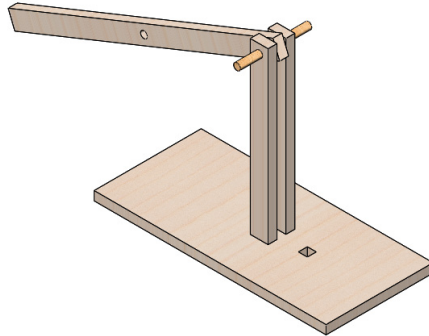
Insert pillars into base as shown.

3



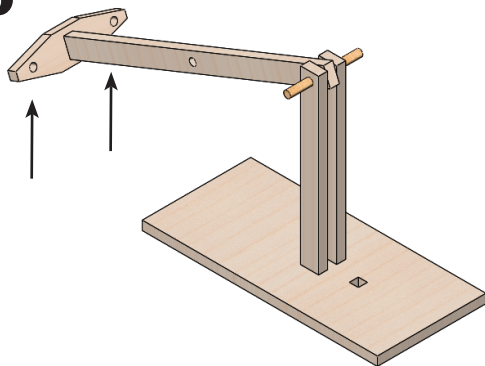
Place crane boom between the two pillars as shown, and align holes.

4



Insert small dowel through boom and pillars as shown.

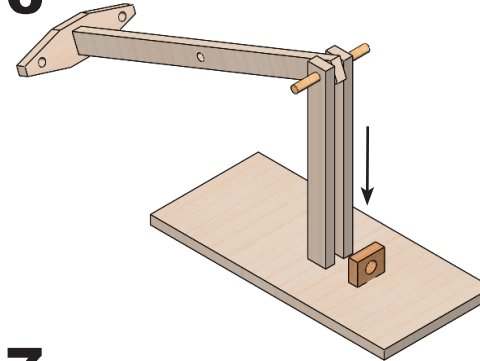
5



Insert boom head on front of boom as shown.

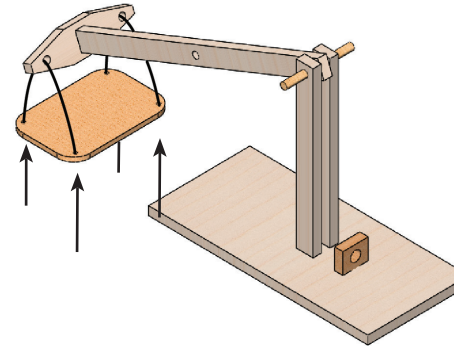
*You can use the sand paper to sand edges if parts are too tight.

6



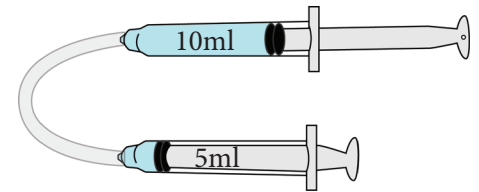
Insert tube holder on the square hole in the base as shown.

7



Build and connect platform to boom head using twist ties as shown.

8

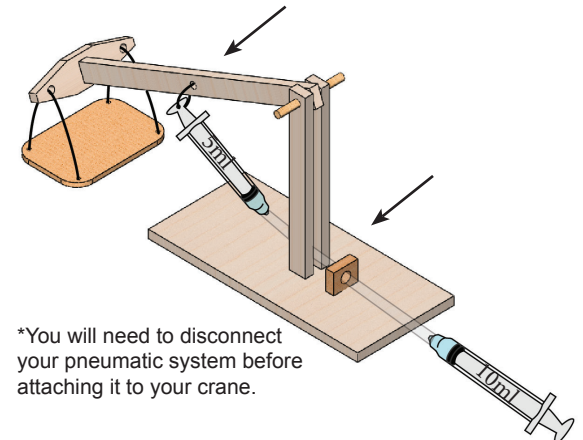


Assemble pneumatic system as shown and test. During assembly, one plunger should be pulled out and one plunger pushed in as shown.

9

Connect pneumatic system to crane as shown. You can use one of the black twist ties to attach the plunger with the hole in the top to the boom.

Insert the tube through the bracket to connect your pneumatic system.



*You will need to disconnect your pneumatic system before attaching it to your crane.